

Item	Description	HP Part No.	Qty
1	Screw, M4 x 8 mm	2510- 0043	2
2	Sound Damping Foil	19239- 20540	1
3	Mounting Bracket	19239- 00010	1
4	Grommet	0400- 0099	3
5	Nut	0535- 0043	3
6	Lock Washer	3050- 0540	3
7	N ₂ Cryo Blast Nozzle	19239- 80535	1
8	Union	0100- 0125	1
9	N ₂ Restriction Tube	19239- 20575	1
10	Teflon Tape	0460- 0016	-
11	N ₂ Tube Fitting	0100- 1249	1
12	N ₂ Cryogenic Valve	19239- 60555	1
13	Sound Insulation Kit	19239- 20550	1

Figure 8. N₂ Cryo Blast Valve Assembly (Sheet 1 of 2).

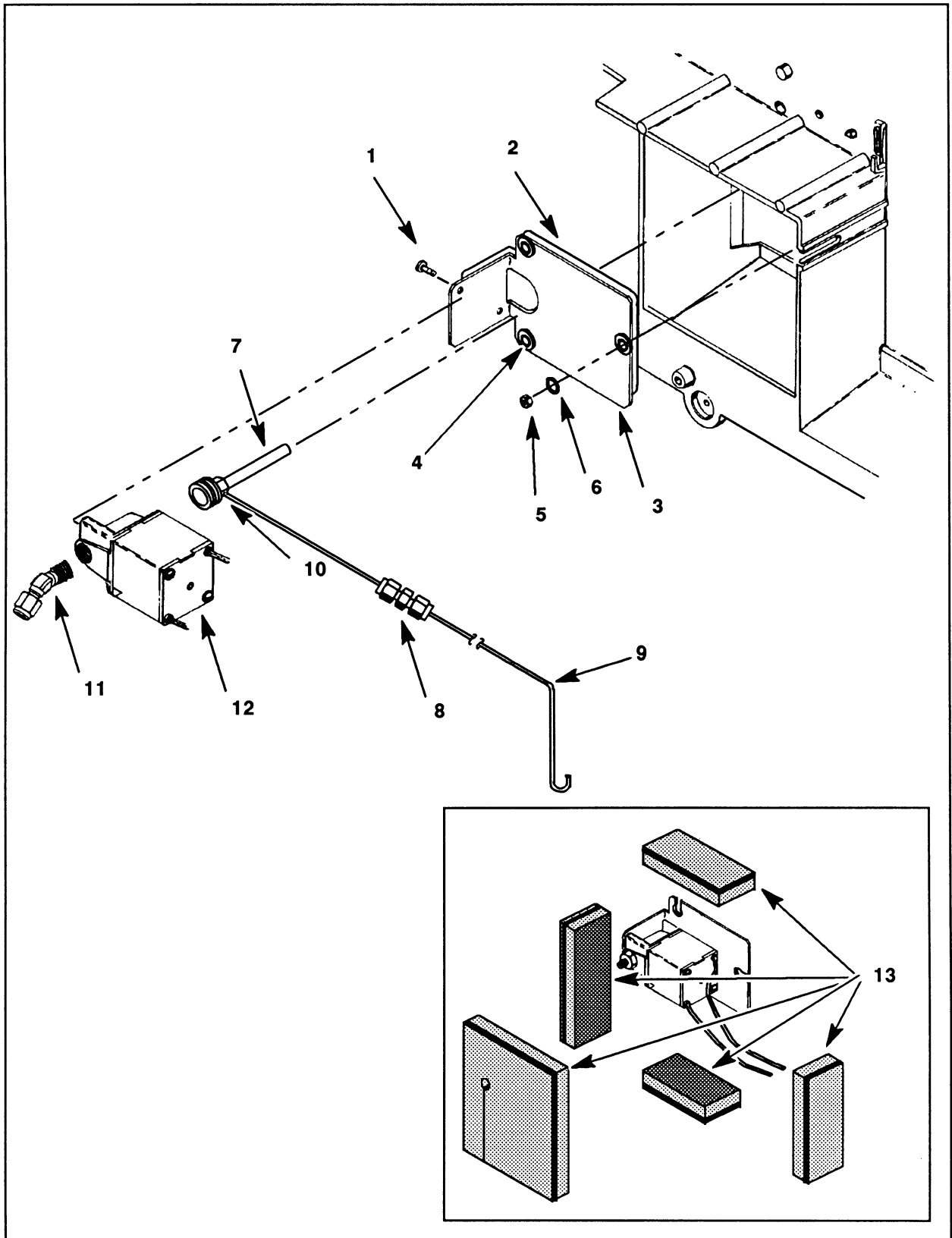


Figure 8. N₂ Cryo-Blast Valve Assembly (Sheet 2 of 2).